



Green Warrior[®]

12 PLANTER TOWER

MANUAL

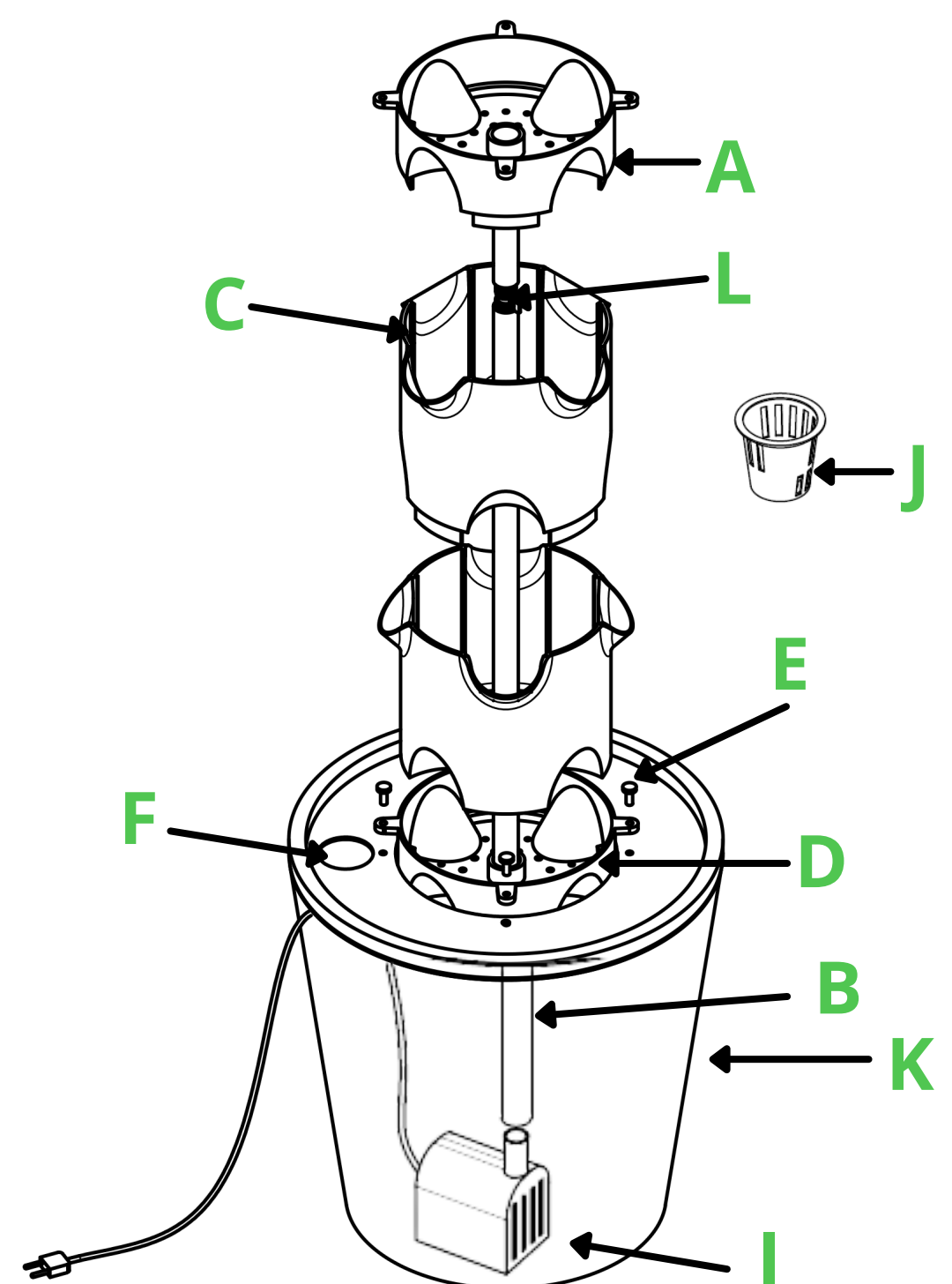


Safety Information

1. The Plant Tower is an aeroponic growing system. Do not stand on the system and take care to keep children from playing on the Tower.
2. Follow the safety instructions included with the water pump. Do not attempt to plug or unplug the pump in rainy or damp conditions.
3. When draining the Tower, do not allow the water to drain over an electrical outlet or extension cord. Do not overfill the Tower, which would allow water to run out of the electrical cord opening in the reservoir.
4. Do not place the Tower where there is the potential for high winds, such as on the walls of the balconies.

Plant Tower System Parts

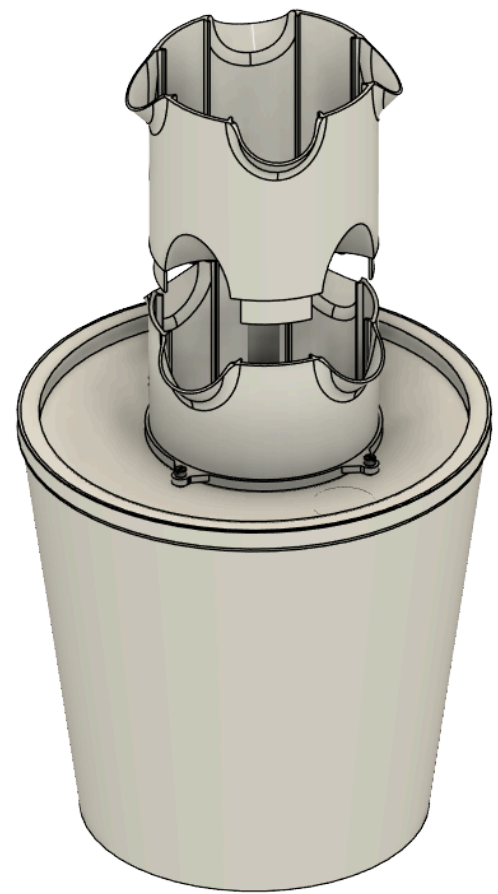
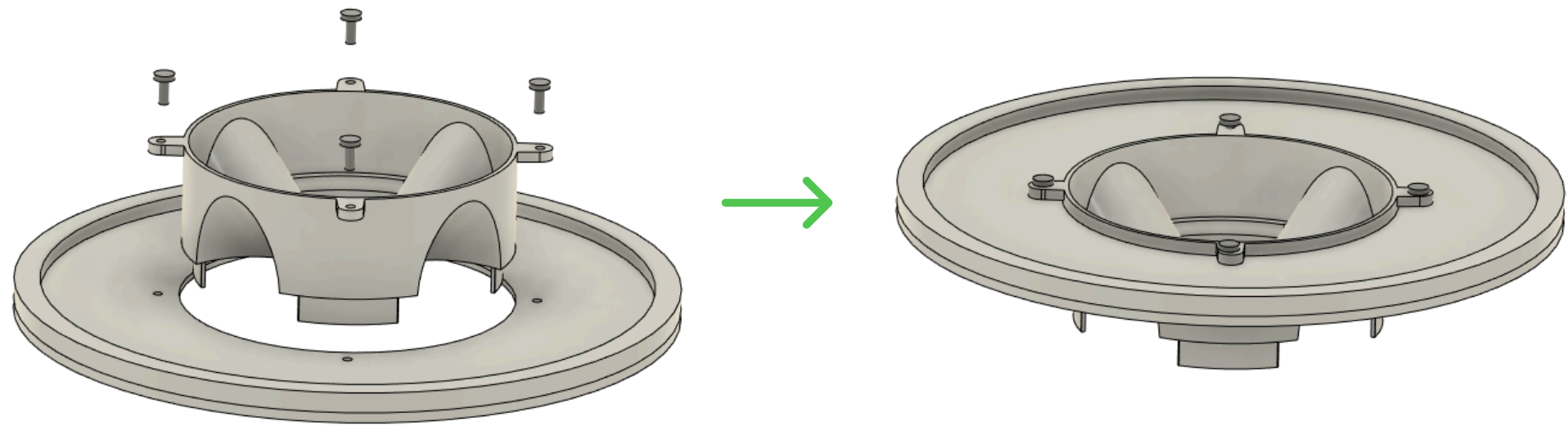
- A. Top section
- B. Pipe
- C. Tower section
- D. Base
- E. Screw
- F. Tank View Hole
- I. Pump
- J. Net Pot
- K. Nutrient Tank
- L. Pipe Joiner



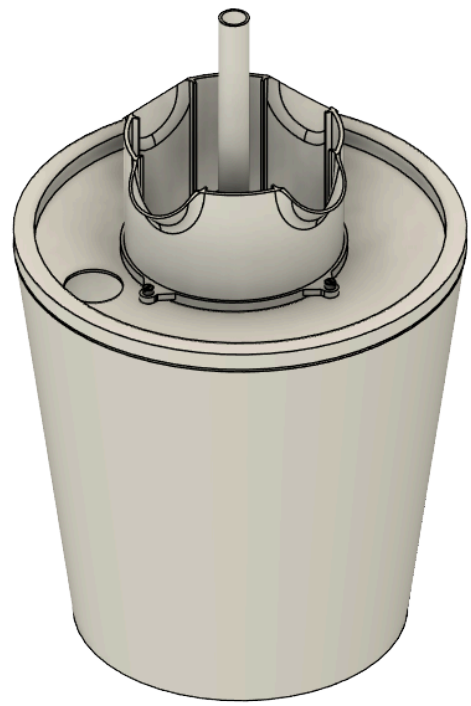
We do not include any top lid with our tower but rest assured that if anything is damaged during shipping, we will replace the affected part. For support, please contact us at 8237709342.

How to Assemble

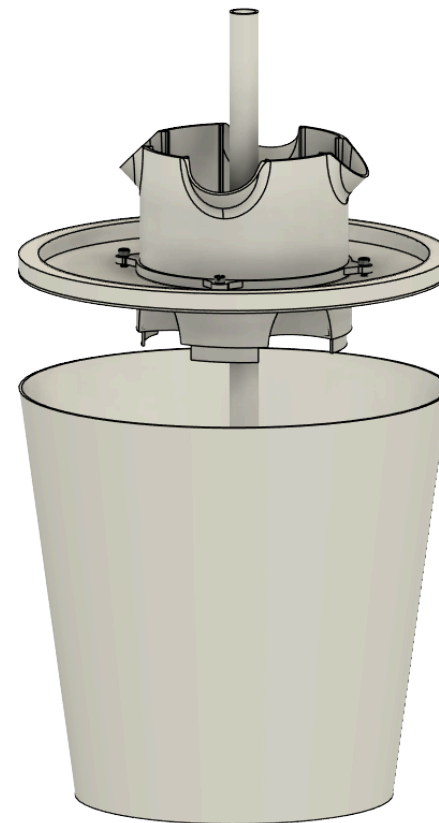
Attach Base to tank cover with help of 4 screw



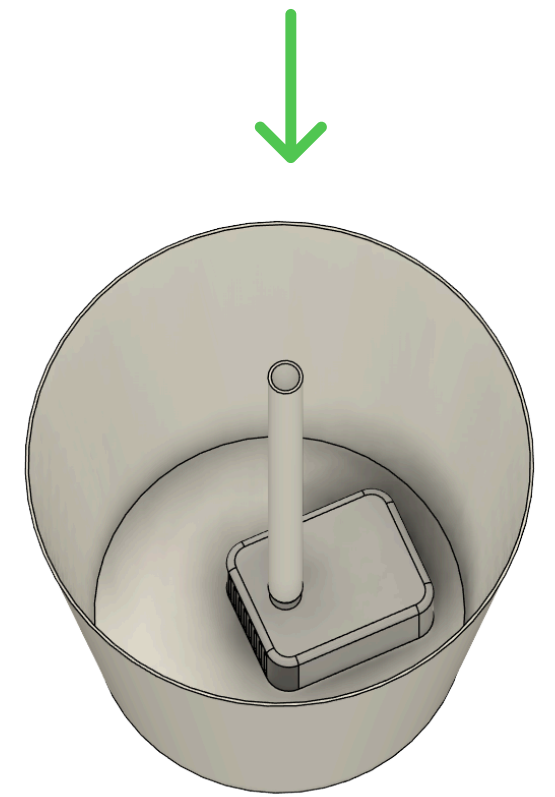
Put another section



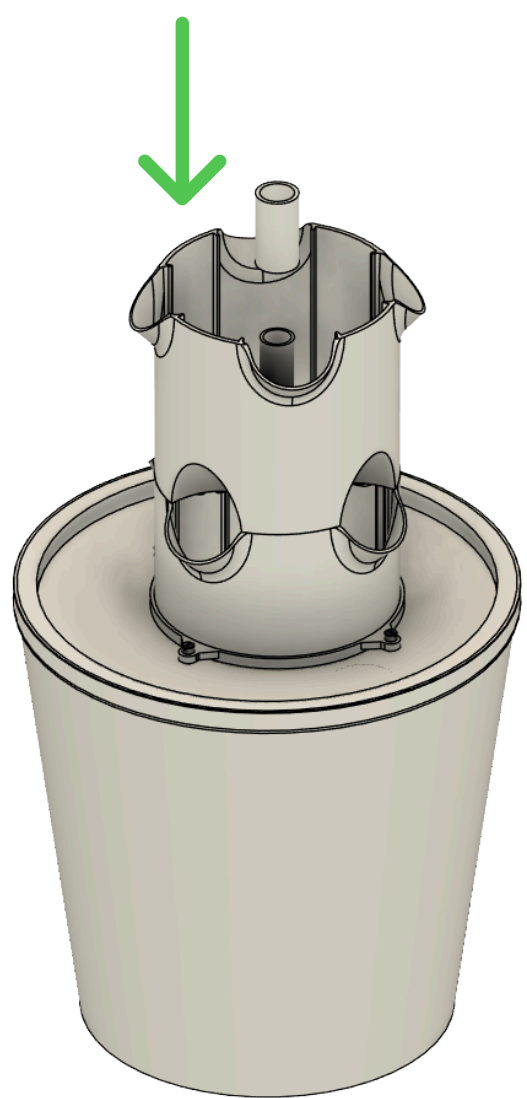
Now Put base section which has no legs



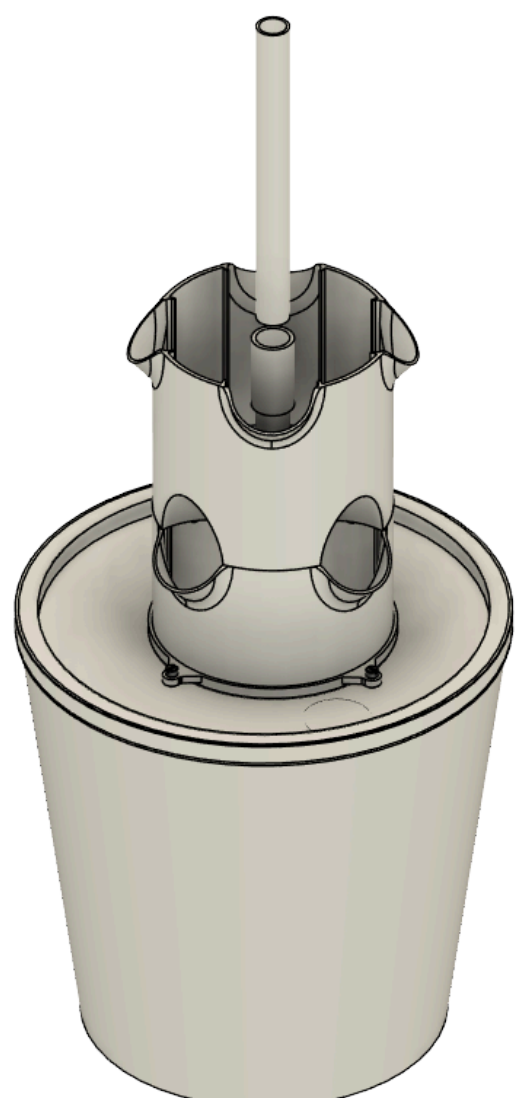
Put Tank cover and base on tank



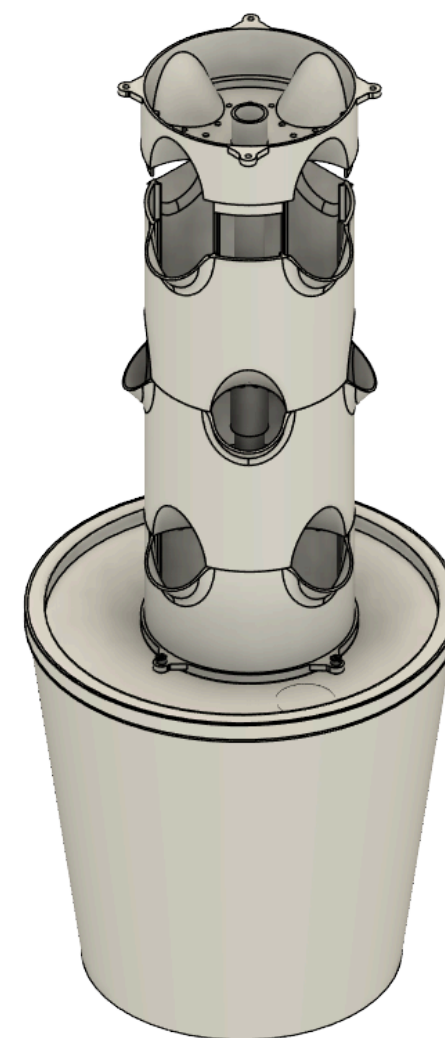
Attach the first Pipe to Pump, and Put it to the tank



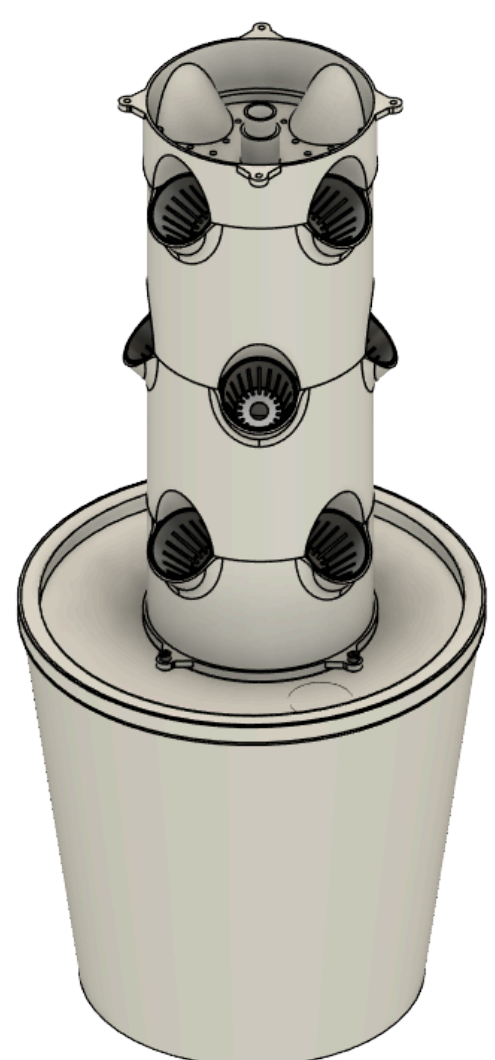
Attach another pipe Pipe with pipe Joiner



Put another section

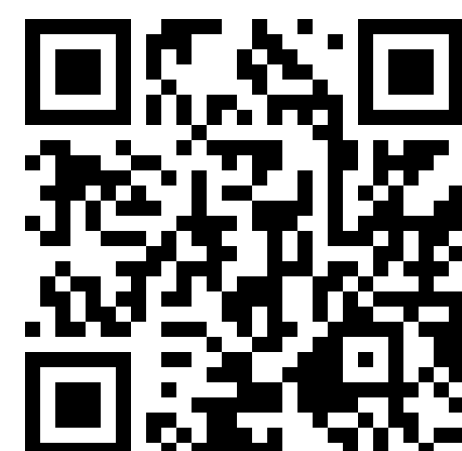


Attach Crown



Watch full Assembly Video Here - <https://youtu.be/MRj24KVFMbl>

Scan QR Code to watch -

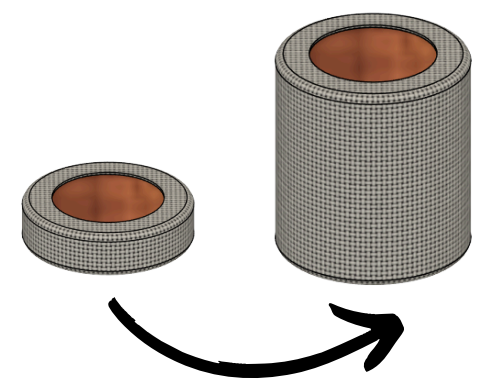


Germination



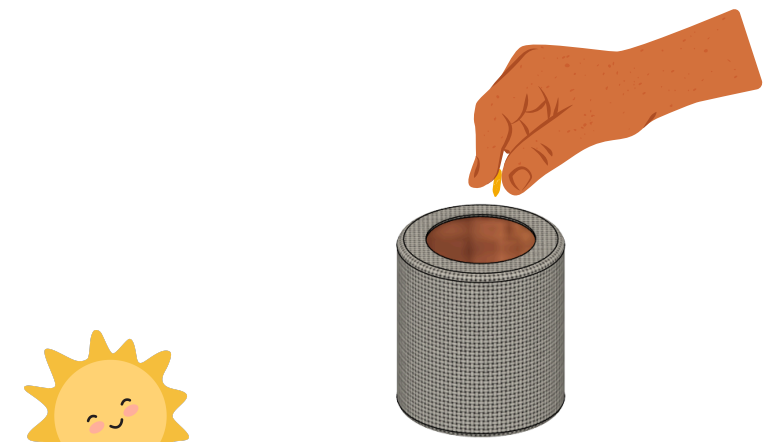
Expand the Coco disc

- Place the Coco Disc in a waterproof tray. Make sure the small, imprinted hole is facing up. Pour warm water over the discs and wait till they get expand.



Sow the seed

- Once the Coco disc is fully expanded, place 6 seeds in every pellet. The planting depth can be controlled by pinching or compacting the pellet. Use a clear, plastic lid or plastic wrap to retain moisture. Keep it in a dark place for 3 Days.



Provide light

- After 3 days, Place the trays under grow lights or in the balcony or outside the house where morning sunlight come. Keep the pellets evenly moist while the seeds germinate. Adding a little water to the bottom of the tray once a day is usually sufficient.



Germination

- Continue the watering once a day to keep the pellets evenly moist.
- **Don't remove the white covering.**



Transplant seedlings

- When the seedlings are ready for transplant, harden off the plants. Coir pellets can be directly planted into the Tower as it is.

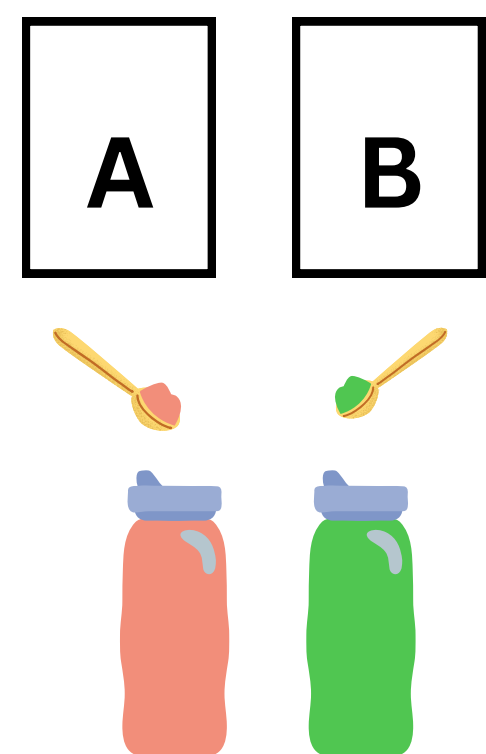
Watch Germination Video here-

<https://youtu.be/j7oND2vvR2c>



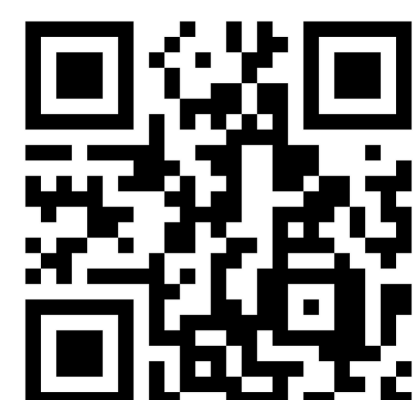
Making Nutrients from Powder

- Take 2 empty Bottles of 1 Litter each, Mark each as A & B
- Mix Each packet of A & B in Bottles of A & B respectively in the water of 1 litre
- Note- Do not mix both powders in one bottle
- First, take two bottles of 1 litter each
- Then dilute each packet in each bottle separately
- This is a master solution name it a and b
- After that take One cup of each of the master solutions then mixes it up in a water bucket and wait for 10 min after that take a reading using the TDS meter, and repeat this procedure up to 300 to 400 ppm reading for the first 2 weeks after that 500 to 650 ppm for last 3 to 5 week
- Kindly check it every week



Watch Video here-<https://youtu.be/xyfjO84Tgok>

Scan QR to watch Video here



For more information Visit- www.wegreenwarriors.org



Call\Whatsapp us at- 8237709342