



# Green Warrior<sup>®</sup>

## **12 PLANT TOWER**

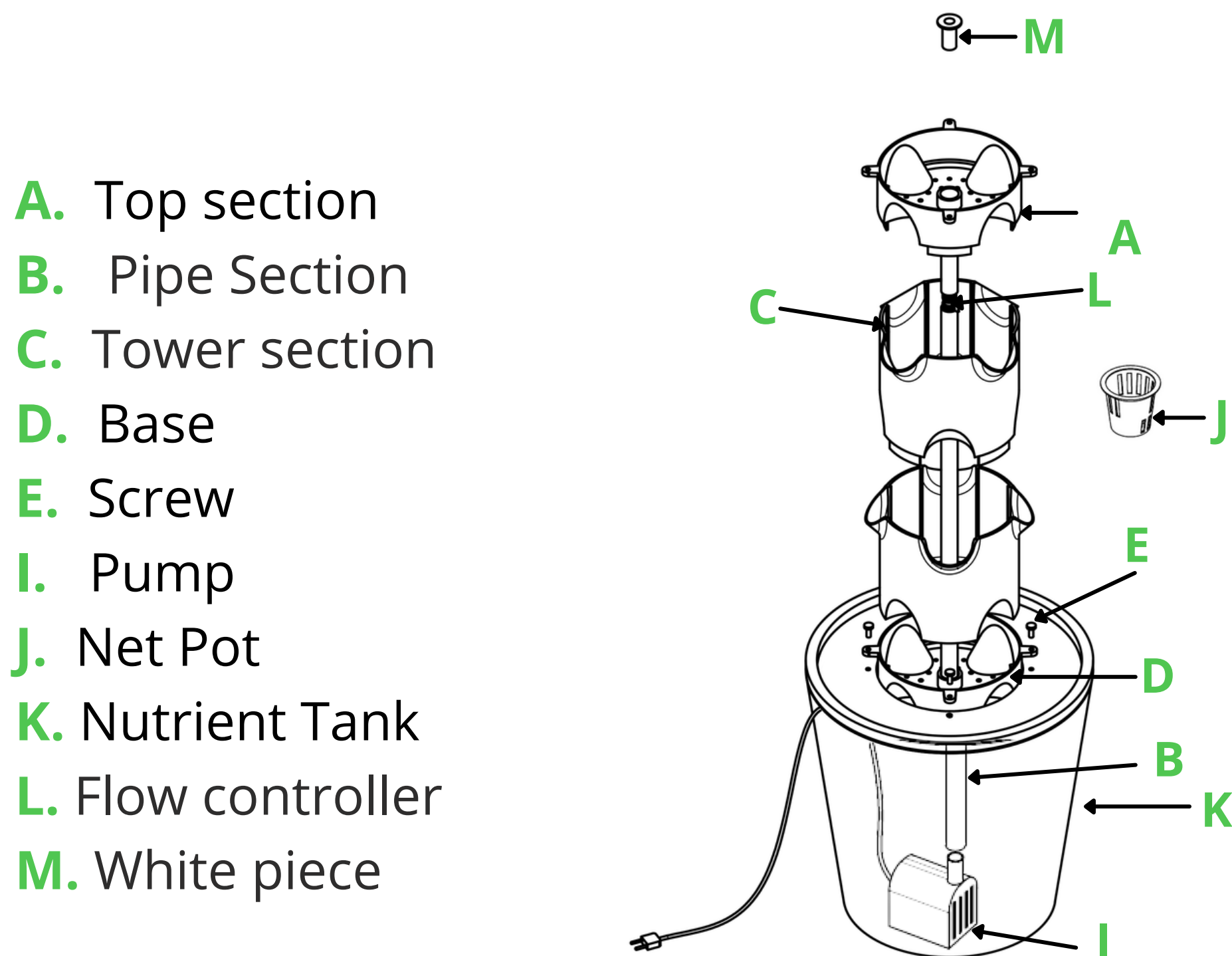
MANUAL



# Safety Information

1. The Plant Tower is an aeroponic growing system. Do not stand on the system and take care to keep children from playing on the Tower.
2. Follow the safety instructions included with the water pump. Do not attempt to plug or unplug the pump in rainy or damp conditions.
3. When draining the Tower, do not allow the water to drain over an electrical outlet or extension cord. Do not overfill the Tower, which would allow water to run out of the electrical cord opening in the reservoir.
4. Do not place the Tower where there is the potential for high winds, such as on the walls of the balconies.

## Plant Tower System Parts

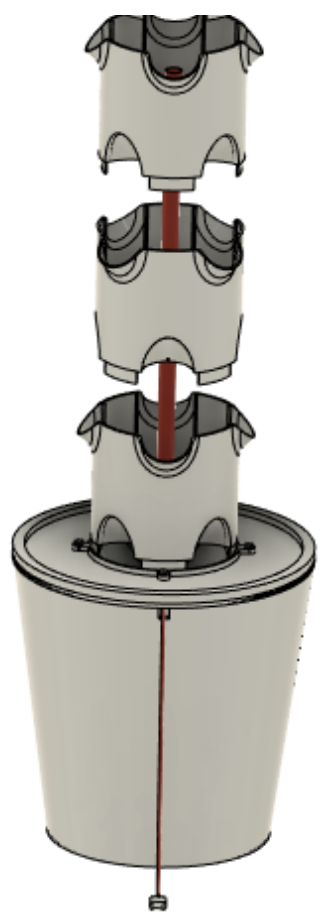
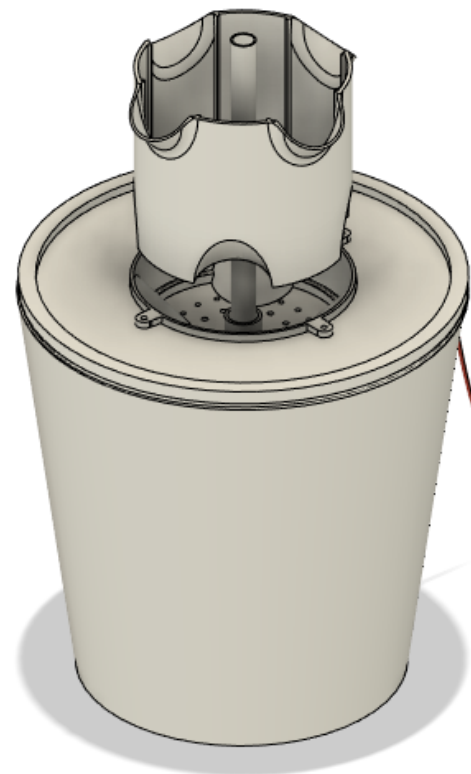
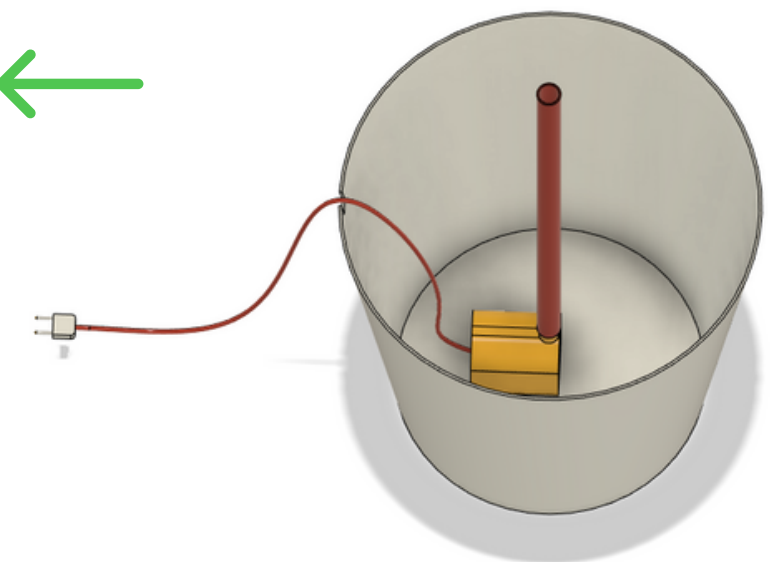
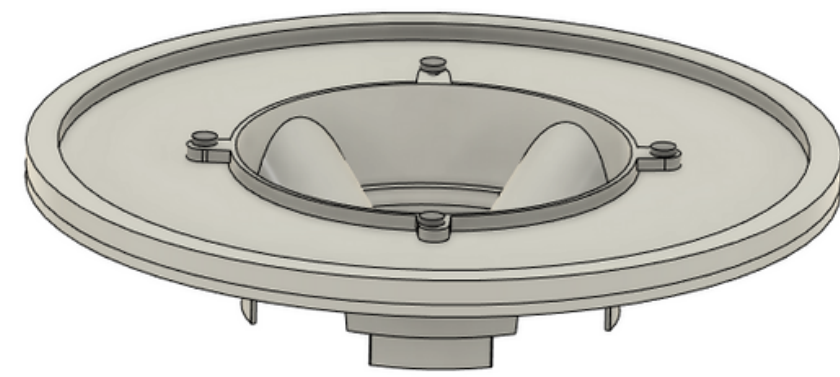
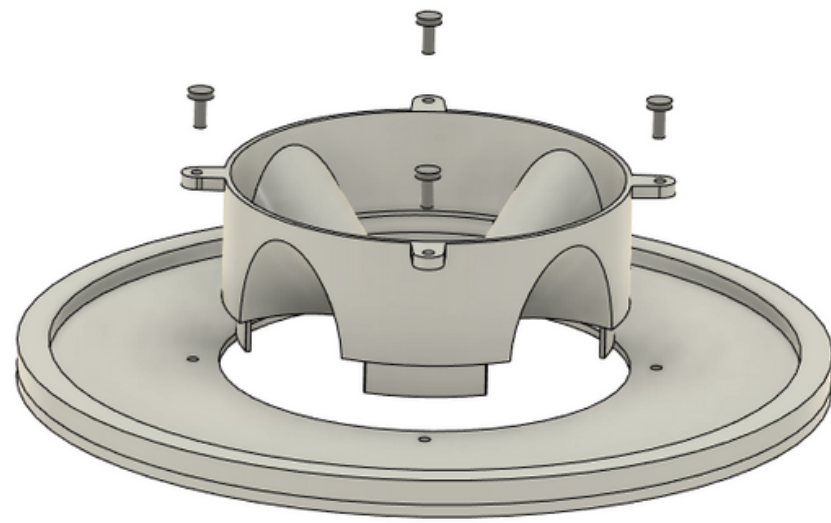


We do not include any top lid with our tower but rest assured that if anything is damaged during shipping, we will replace the affected part. For support, please contact us at 8237709342.

Our tower comes in two variants: one with a TDS meter and nutrients, and one without. You can purchase each variant separately on our website.

# How to Assemble

Attach Base to tank cover with help of 4 screw

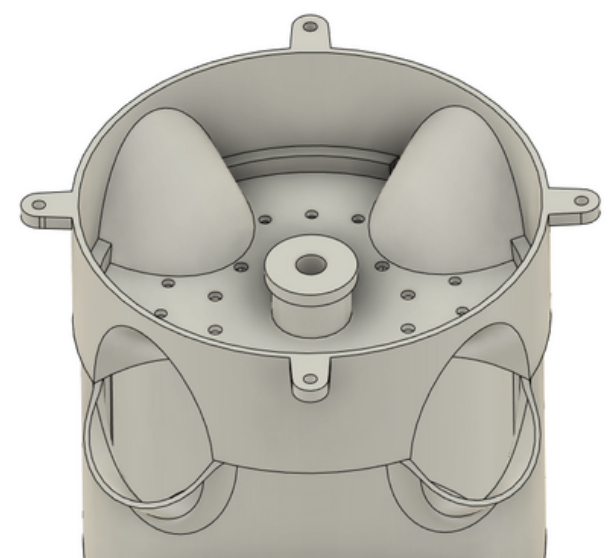
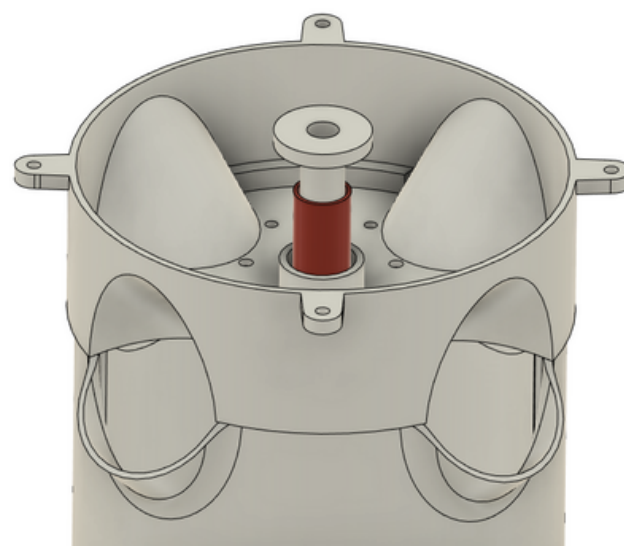
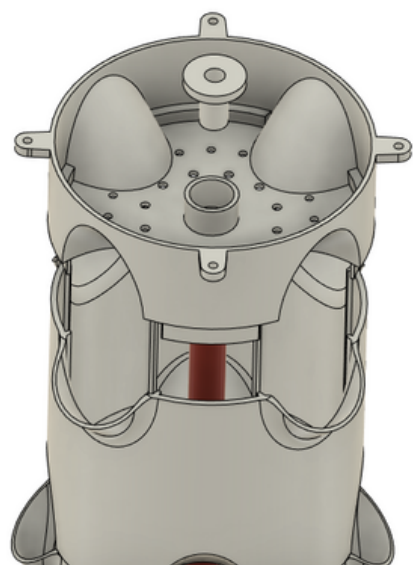
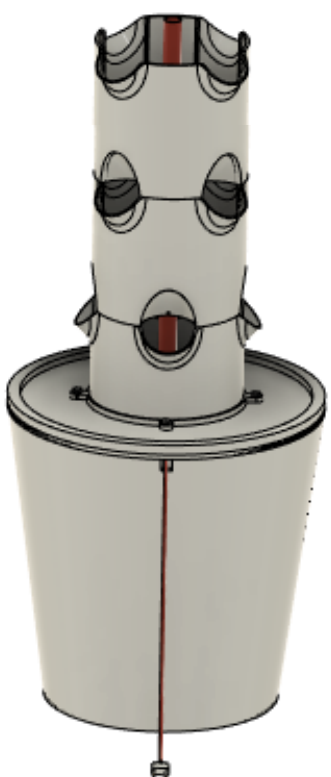


Put another section

Now Put base section which has no legs

Put Tank cover and base on tank

Attach the first Pipe to Pump, and Put it to the tank



Now add crown and White piece

Watch full Assembly Video Here - <https://youtu.be/MRj24KVFMbI>

Scan QR Code to watch -



Note- Above assembly video is similar to 12 Planter Tower

# Germination

## Expand the Coco disc

- Place the Coco Disc in a waterproof tray. Make sure the small, imprinted hole is facing up. Pour warm water over the discs and wait till they get expand.

## Sow the seed

- Once the Coco disc is fully expanded, place 4-5 seeds in every pellet. The planting depth can be controlled by pinching or compacting the pellet. Use a clear, plastic lid or plastic wrap to retain moisture. Keep it in the dark place for 3 Days.

## Provide light

- After 3 days, Place the trays under grow lights or near a sunny window. Keep the pellets evenly moist while the seeds germinate. Adding a little water to the bottom of the tray once a day is usually sufficient.

## Germination

- After the seeds have germinated and the cotyledons have opened, it is advisable to remove the plastic cover. To maintain the proper moisture level, it's recommended to water the pellets once a day. The germination period for the seeds is approximately 12 to 14 days.

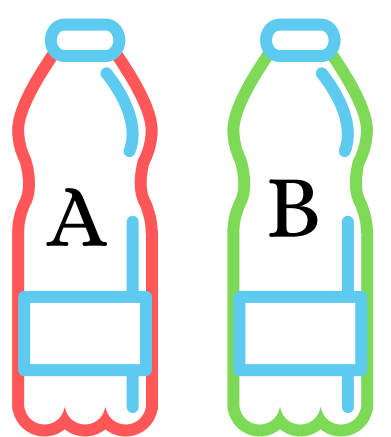
## Transplant seedlings

- When the seedlings are ready for transplant, harden off the plants. Coir pellets can be directly planted into the Tower.

Note- Do not tear the white covering of the coco disc,  
Always use coco disc or rock wool for germination.

# Making Nutrients from Powder

- Take 2 empty Bottles of 1 Litter each, Mark each as A & B
- Mix Each packet of A & B in Bottles of A & B respectively in the water of 1 litre
- **Note-** Do not mix both powders in one bottle
- This is a master solution name it a and b
- After that take One cup of each of the master solutions then mixes it up in a water bucket and wait for 10 min after that take a reading using the TDS meter, and repeat this procedure up to **300 to 400** ppm reading for the first 2 weeks after that **500 to 650** ppm for last 3 to 5 week
- Kindly check it every week



for more information visit [www.wegreenwarriors.org](http://www.wegreenwarriors.org)

Call- 8237709342 for support